

# If negative pressure abnormality occurs

If an error related to pressure abnormality occurs, immediately adjust the pressure with the following procedures and return it to the normal value.

< LOCAL >  
NEGATIVE PRESSURE

< LOCAL >  
POSITIVE PRESSURE

ERROR 61e  
NEGATIVE P. OVER

## 1. Select [PRESSURE ADJUST] of the maintenance menu.

- (1) Press the **FUNCTION** key.
- (2) Press **▲ ▼** to select [MAINTENANCE] and press the **ENTER** key.
- (3) Press **▲ ▼** to select [PRESSURE ADJUST].

## 2. Press **▲ ▼** to select **POSITIVE** or **NEGATIVE**.

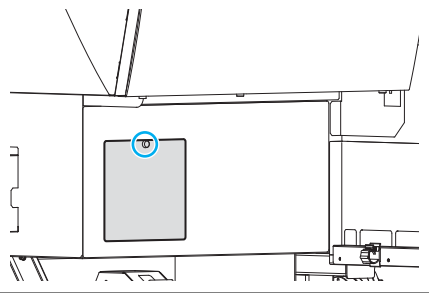
Adjust the throttle valve in order of “negative pressure” → “positive pressure” → “negative pressure”.

PRESSURE ADJUST  
: NEGATIVE

## 3. Press the **ENTER** key.

Open Throttle Valve  
COMPLETED [ENT]

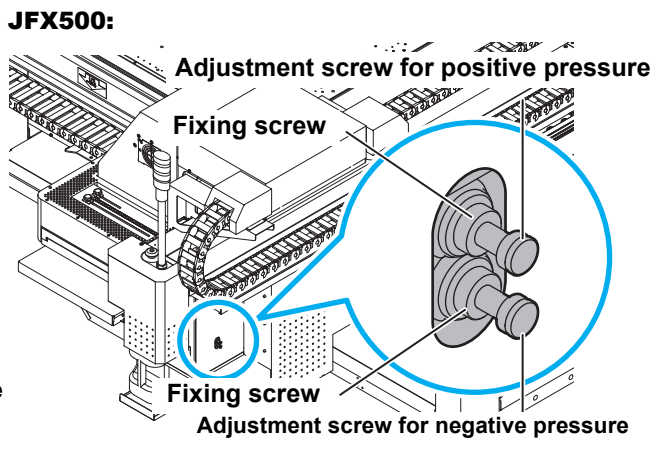
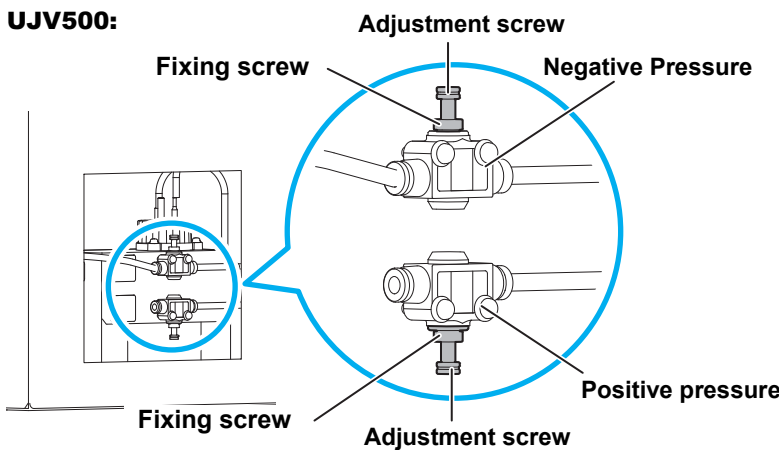
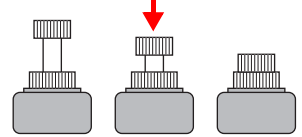
## 4. Remove the cover under the left maintenance cover. (UJV500)



## 5. Rotate the adjustment screw of the throttle valve to release it so that air can flow.

Loosen the fixing screws on the throttle valve, and turn the adjustment screw until it reaches the midpoint.

Turn the adjustment screw to this position.



**Adjusting negative pressure / positive pressure**  
 Negative pressure : Turn the adjustment screw clockwise to increase negative pressure.  
 Positive pressure : Turn the adjustment screw clockwise to increase positive pressure.  
 •When adjustment is complete, carefully tighten the fixing screws.

## 6. Press the **ENTER** key.

Sensor adjustment starts.

\*\* ADJUSTING \*\*  
PLEASE WAIT

## 7. Rotate the adjustment screw of the throttle valve to adjust the pressure so that it becomes the proper value

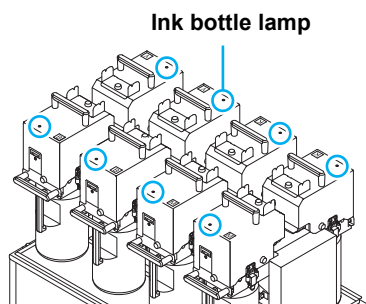
PRESSURE  
= -4.00 kPa

- Proper value of negative pressure: -5.4kPa
- Proper value of positive pressure: 15.00kPa
- As the negative pressure changes between  $\pm 0.1$  and 0.2kPa, adjust so that the intermediate value may become the target pressure.
- Adjust the throttle valve in order of “negative pressure” → “positive pressure” → “negative pressure”.

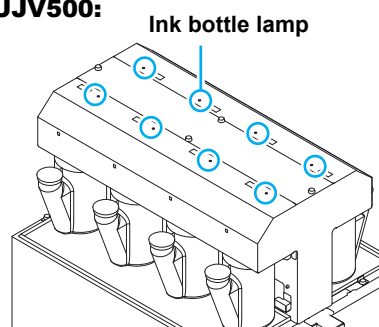


- Pressure is informed with the buzzer and the ink bottle lamp as well as the screen display.
- For the negative pressure, the buzzer stops within the range of  $\pm 0.1$ kPa. For the positive pressure, the buzzer stops within the range of  $\pm 1.0$ kPa.

### JFX500:



### UJV500:



- Status of lamp and buzzer for each pressure value

	Pressure		Ink bottle lamp	Buzzer
	Positive pressure	Negative pressure		
High	~ 8.49	~ -4.75	○○○○ ○○○○	Sounds
	8.50 ~ 9.49	-4.76 ~ -4.85	○○○○ ○○●●	
	9.50 ~ 10.49	-4.86 ~ -4.95	○○○○ ●●●●	
	10.50 ~ 11.49	-4.96 ~ -5.05	○○○○ ●●●●	
	11.50 ~ 12.49	-5.06 ~ -5.15	○○○○ ●●●●	
	12.50 ~ 13.49	-5.16 ~ -5.25	○○○○ ●●●●	
	13.50 ~ 14.49	-5.26 ~ -5.35	○○●● ●●●●	Stops
Proper value	14.50 ~ 15.49	-5.36 ~ -5.45	Y Y K K ●●●● C C M M	Stops
Low	15.50 ~ 16.49	-5.46 ~ -5.55	●●●● ●●●●	Stops
	16.50 ~ 17.49	-5.56 ~ -5.65	●●●● ●●●●	Sounds
	17.50 ~ 18.49	-5.66 ~ -5.75	●●●● ●●●●	
	18.50 ~ 19.49	-5.76 ~ -5.85	●●●● ●●●●	
	19.50 ~ 20.49	-5.86 ~ -5.95	●●●● ●●●●	
	20.50 ~ 21.49	-5.96 ~ -6.05	●●●● ●●●●	
	21.50 ~ 22.49	-6.06 ~ -6.15	●●●● ●●●●	
	22.50 ~ 23.49	-6.16 ~ -5.86.2	●●●● ●●●●	
23.50 ~	-6.26 ~	●●●● ●●●●		

## 8. Press the **ENTER** key.

The error is released and the negative pressure control starts.

PLEASE WAIT